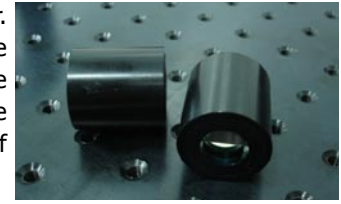
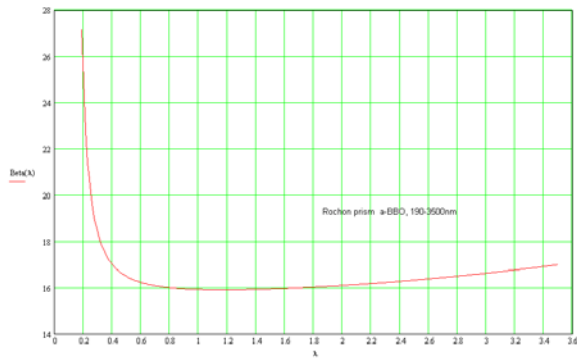


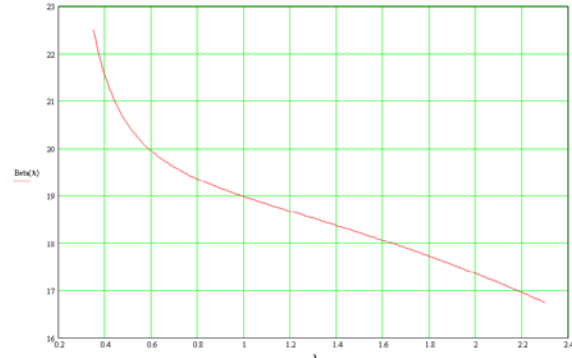
Wollaston polarizer is made of two birefringent material prisms that are cemented together. The deviations of the ordinary and extraordinary beams are nearly symmetrical about the input beam axis, so that the Wollaston polarizing beam splitter has approximately twice the deviation of the Rochon. The separation angle exhibits chromatic dispersion, as shown in the plot below. Any separation angle can be designed upon requirement. The separation angle of standard products vs wavelength is shown in the plot below.



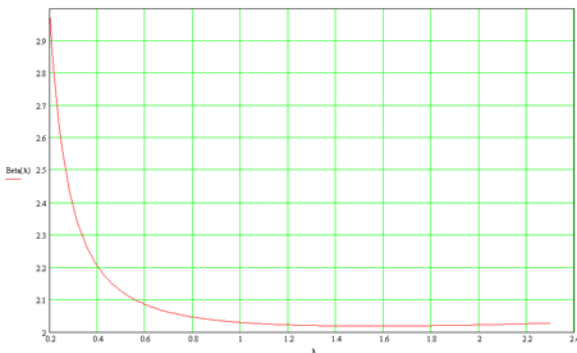
Angular Field vs Wavelength



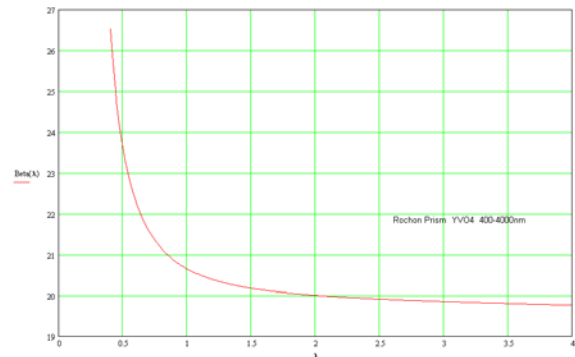
α -BBO, 190-3500nm



Calcite: 350-2300nm



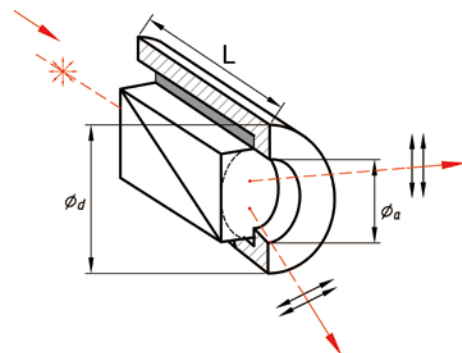
Quartz, 200-3300nm



YVO₄, 400-4000nm

Specifications

Material	α -BBO, Calcite, YVO ₄ , Quartz
Wavelength Range	α -BBO: 190-3500 nm, Calcite: 350-2300nm, YVO ₄ : 400-4000nm, Quartz: 20-2300nm
Extinction Ratio	Calcite, Quartz: $<5 \times 10^{-5}$; α -BBO, YVO ₄ : $<5 \times 10^{-6}$
Surface Quality	20/10 Scratch/Dig
Beam Deviation	< 3 arc minutes
Wavefront Distortion	$< \lambda/4 @ 633\text{nm}$
Damage Threshold	$> 500 \text{ MW/cm}^2$
Coating	Single MgF ₂
Mount	Black Anodized Aluminium



Wollaston Polarizers

Standard Products

1. α -BBO Wollaston Polarizer

Part No.	Extinction Ratio	Separation Angle(°)	C.A. ϕ_a (mm)	O.D. ϕ_d (mm)	L \pm 0.1(mm)	Unit price
PWS6006	<5x10 ⁻⁶	15-27 16@800nm	6	15	14	\$328
PWS6008			8	25.4	16	\$398
PWS6010			10	25.4	18	\$498
PWS6015			15	30	23	\$658
PWS6020			20	38	28	\$998

2. Calcite Wollaston Polarizer

Part No.	Extinction Ratio	Separation Angle(°)	C.A. ϕ_a (mm)	O.D. ϕ_d (mm)	L \pm 0.1(mm)	Unit price
PWS7006	<5x10 ⁻⁶	16.7-22.5 19@980nm	6	15	14	\$218
PWS7008			8	25.4	16	\$258
PWS7010			10	25.4	18	\$298
PWS7015			15	30	23	\$428
PWS7020			20	38	28	\$768

3. Quartz Wollaston Polarizer

Part No.	Extinction Ratio	Separation Angle(°)	C.A. ϕ_a (mm)	O.D. ϕ_d (mm)	L \pm 0.1(mm)	Unit price
PWS9006	<5x10 ⁻⁵	2-3 2@1064nm	6	15	20	\$198
PWS9008			8	25.4	24	\$238
PWS9010			10	25.4	28	\$278
PWS9015			15	30	38	\$388
PWS9020			20	38	48	\$598

4. YVO4 Wollaston Polarizer

Part No.	Extinction Ratio	Separation Angle(°)	C.A. ϕ_a (mm)	O.D. ϕ_d (mm)	L \pm 0.1(mm)	Unit price
PWS8006	<5x10 ⁻⁶	19.6-23.3 20@1550nm	6	15	14	\$248
PWS8008			8	25.4	16	\$298
PWS8010			10	25.4	18	\$378
PWS8015			15	30	20	\$498
PWS8020			20	38	258	\$868