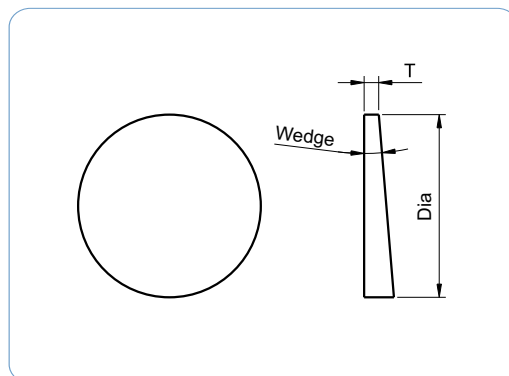


WEDGES

Specifications

Material	BK7;Fused Silica
Diameter Tolerance	+0.0, -0.2mm
Thickness Tolerance	+/-0.1mm
Clear Aperture	>80%
Surface Figure	$\lambda/2@632.8\text{nm}$
Surface Quality	60/40 Scratch/Dig
Bevel	0.25 mm x 45°



BK7 wedge

Part No.	Diameter (mm)	Thickness (mm)	Wedge (°)
WED1101	12.7	3.0	3.0
WED1201	12.7	3.0	0.5
WED1301	25.4	3.0	3.0
WED1401	25.4	3.0	0.5

Fused Silica wedge

Part No.	Diameter (mm)	Thickness (mm)	Wedge (°)
WED210	12.7	6.35	3.0
WED2201	12.7	6.35	0.5
WED2301	25.4	6.35	3.0
WED2401	25.4	6.35	0.5